

# GROOVED CHECK VALVE

Model VR-300-G

Grooved Resilient Swing Check Valve 300 psi

2", 2 1/2", 3", 4", 5", 6", 8", 10" & 12"

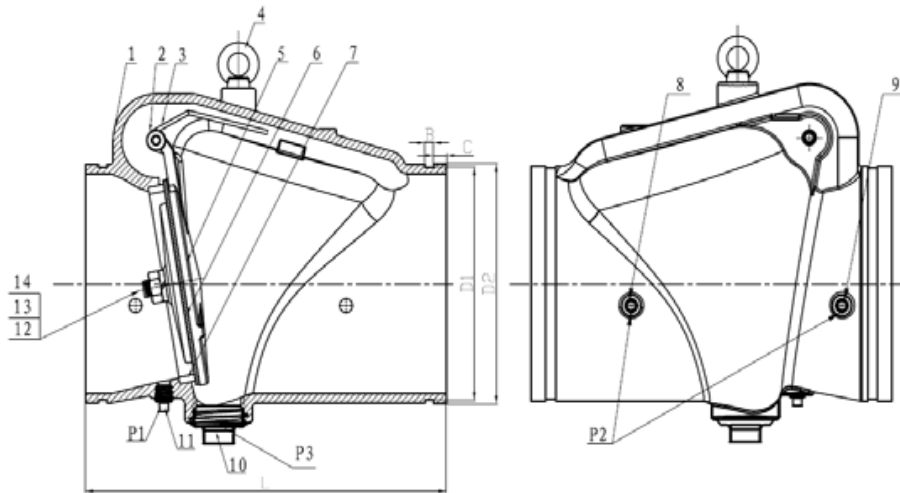


## TECHNICAL DATA

<b>Model</b>	VR-300-G Grooved Resilient Swing Check Valve 300 psi
<b>Sizes</b>	2" DN50 2 1/2" DN65 3" DN80 4" DN100 6" DN150 8" DN200 10" DN250 12" DN300
<b>End Connection</b>	Grooved to AWWA C606
<b>Working pressure</b>	300 psi
<b>Working temperature</b>	32°F to 176°F (0°C to 80°C)
<b>Coating</b>	Fusion Bonded Epoxy Coating in accordance with ANSI/AWWA C550
<b>Finish</b>	Red RAL 3000

## DIMENSIONS

SIZES		DIMENSIONS (mm)							
Inch	mm	L	D1	D2	B	C	P1	P3	P2
2	50	171	57,15	60,3	7,93	15,88	1/2" - 14NPT	1" - 11.5NPT	1/4" - 18 NPT
2 1/2	65	184	69,09	73,0	7,93	15,88	1/2" - 14NPT	1 1/4" - 11.5NPT	1/4" - 18 NPT
2 1/2	65	184	72,26	76,1	7,93	15,88	1/2" - 14NPT	1 1/4" - 11.5NPT	1/4" - 18 NPT
3	80	197	84,94	88,9	7,93	15,88	1/2" - 14NPT	1 1/4" - 11.5NPT	1/4" - 18 NPT
4	100	210	110,08	114,3	9,53	15,88	1/2" - 14NPT	2" - 11.5NPT	1/4" - 18 NPT
6	150	324	160,90	165,1	9,53	15,88	1/2" - 14NPT	2" - 11.5NPT	1/4" - 18 NPT
6	150	324	163,96	168,3	9,53	15,88	1/2" - 14NPT	2" - 11.5NPT	1/4" - 18 NPT
8	200	371	214,40	219,1	11,13	19,05	1/2" - 14NPT	2" - 11.5NPT	1/4" - 18 NPT
10	250	457	268,28	273,0	12,70	19,05	1/2" - 14NPT	2" - 11.5NPT	1/4" - 18 NPT
12	300	535	318,29	323,9	12,70	19,05	1/2" - 14NPT	2" - 11.5NPT	1/4" - 18 NPT



### MATERIAL LIST

N° ITEM	NAME	MATERIAL	OPTIONAL
1	Valve body	ASTM A536, 65-45-12	-
2	Hinge Pin	AISI 420	-
3	Spring	AISI 304	AISI 316
4	Eye Bolt	Carbon Steel Zinc Plated	-
5	Disc	2"-4": AISI 304 6"-12": ASTM A536, 65-45-12	AISI 304
6	Disc Sealing Ring	EPDM	NBR
7	Seat Ring	ASTM B62 C83600 (Pressed Fit)	AISI 304 / AISI 316
8	Plug	Malleable Iron Galvanized	Bronze ASTM B584
9	Plug	Malleable Iron Galvanized	Bronze ASTM B584
10	Plug	Malleable Iron Galvanized	Bronze ASTM B584
11	Plug	Malleable Iron Galvanized	Bronze ASTM B584
12	Bolt	AISI 304	AISI 316
13	Washer	AISI 304	AISI 316
14	Nut	AISI 304	AISI 316

### ORDERING INFORMATION

SIZE	CODE
2" DN50	VR050RA3000
2 ½" DN65 (76.1MM)	VR065RA3000
2 ½" DN65 (73MM)	VR065RA3001
3" DN80	VR080RA3000
4" DN100	VR100RA3000
6" DN150 (168MM)	VR150RA3000
6" DN150 (165MM)	VR150RA3001
8" DN200	VR200RA3000
10" DN250	VR250RA3000
12" DN300	VR300RA3000

Specify:

Model number	
Quantity	
Size of valve	
Material (Optional)	

The equipment presented in this data sheet is to be installed in accordance with the latest published Standards of the national fire protection association (NFPA), FM Global, LPCB, VdS or other similar organizations, also with the provisions of governmental codes or ordinances whenever applicable. This documentation is not contractual. AG Fire Sprinkler reserves the right to any kind of change without notice.