

Technical Description: Gasket set dry alarm valve DN80-DN150

Translation of the original

Part no.: 856559 | DOC ID: 100078006 | Document no.: 100078006 | Approval / modification no.: EW17-009 | Rev./Vers.: 05/00 | Language: en_US | Edition: 02-2017

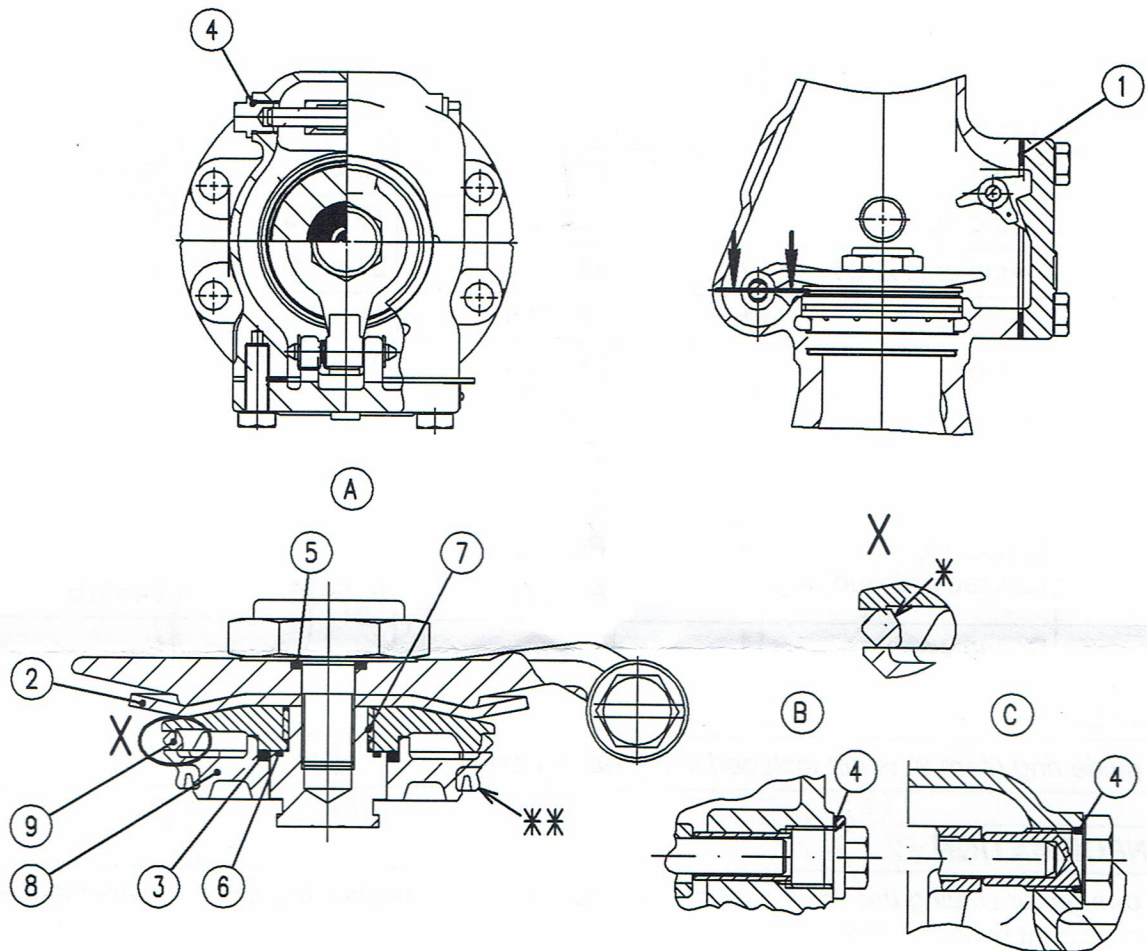


Fig. 1: Overview

A Valve disk

B Section bearing (up to 2001)

C Section bearing (from 2001)

X Detail view

* The inner bevel of the spring washer (Fig. 1/9) must face upwards.

** The vulcanized grooved ring cannot be replaced. If it is damaged, the guide ring (Fig. 1/8) must be ordered.



Item	Description	Quantity			
			DN80 (3")	DN100 (4")	DN150 (6")
1 ... 7 9	Gasket set incl. socket wrench	1	Part no.: 840314	Part no.: 840442	Part no.: 840429
1	Gasket "hand hole" 1x from 2001 1x until 2001	2			
2	Gasket "valve disk"	1			
3	O-ring	1	25 x 3.2	30 x 3.2	50 x 3
4	O-ring from 2001	2	18 x 2.5	18 x 2.5	18 x 2.5
4	O-ring until 2001	2	21 x 1.5	21 x 1.5	21 x 1.5
5	O-ring	1	14 x 2.5	14 x 2.5	14 x 2.5
6	O-ring	1	21 x 1.5	23.5 x 1.78	38 x 3
7	Threaded pin	1			
-	Socket wrench for item 7	1			
8	Guide ring with vul- canized grooved ring	1	Part no.: 845974	Part no.: 845975	Part no.: 845976
9	Spring washer	1			

INFORMATION

The guide ring (item 8) is not included in the gasket set.

INFORMATION

The o-rings for sealing the valve seat are not included in the gasket set, since replacement of the valve seat is not intended.

During the maintenance of the valve the following parts have to be greased:

- All o-rings
- Surface of the seal on both sides
- All metal gliding surfaces



