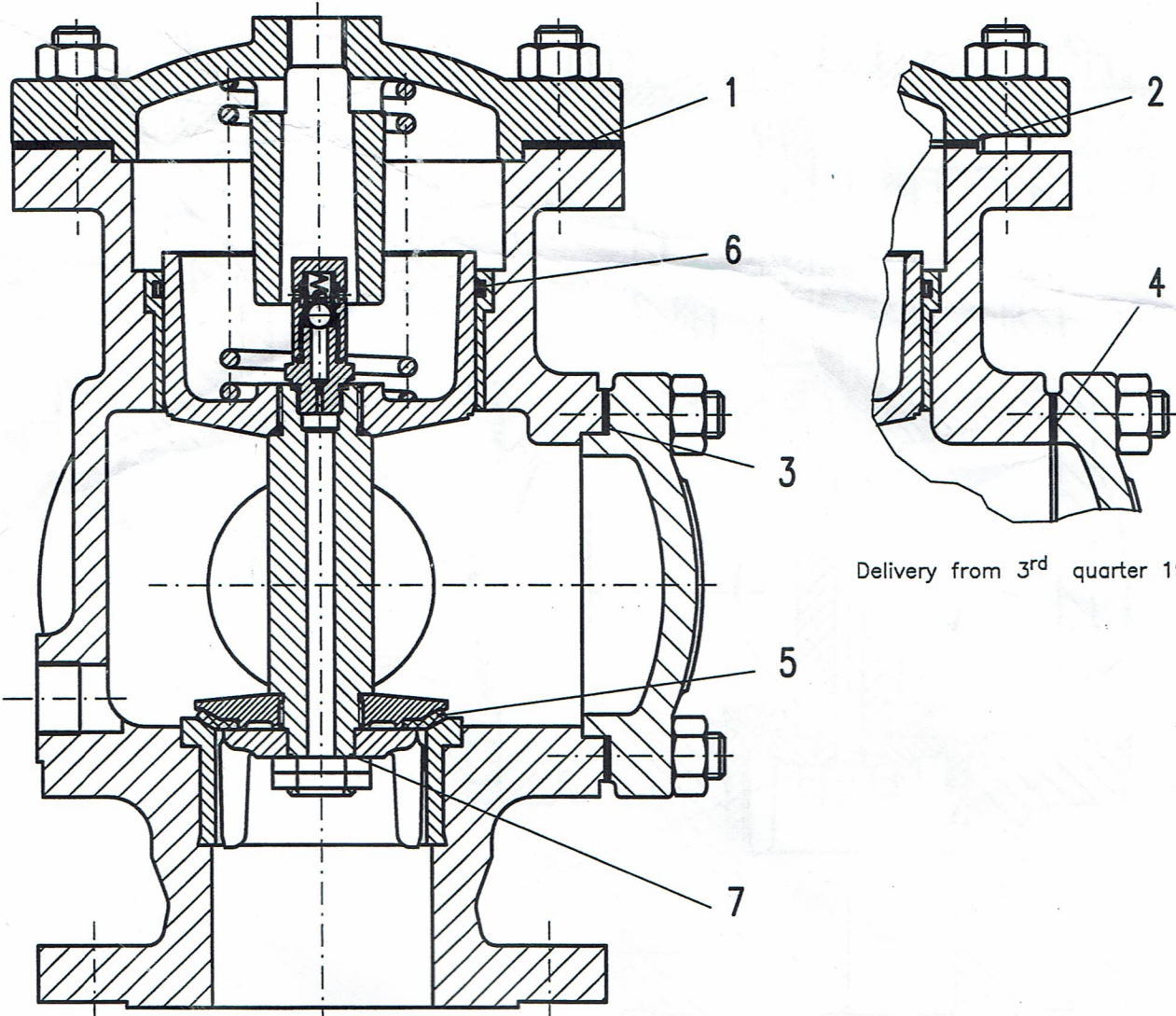


Installation instructions

Deluge Valve Gasket Set FSV DN 80

Part-no: 62 4175

Delivery until 1992



Delivery from 3rd quarter 1983

Scope of supply:

Pos. 1	Gasket	Cover control chamber	Part-no.: 17 8842 (1piece)	Delivery until 3 rd quarter 1983
2	Gasket	Cover control chamber	Part-no.: 77 3404 (1piece)	Delivery from 3 rd quarter 1983
3	Gasket	Hand hole cover	Part-no.: 12 7319 (1piece)	Delivery until 3 rd quarter 1983
4	Gasket	Hand hole cover	Part-no.: 77 3441 (1piece)	Delivery from 3 rd quarter 1983
5	Gasket	Valve disk	Part-no.: 17 8830 (1piece)	
6	O-ring	110x4-NBR-80shore	Part-no.: 13 2897 (1piece)	
7	O-ring	24x3-NBR-70shore	Part-no.: 79 2249 (1piece)	Delivery from 1985

Note:

- Due to the strong spring tension within the control chamber, the hexagon nuts on the cover are to be loosened uniformly and carefully (danger of bodily injury).
- Sliding and sealing surfaces of the piston are to be greased.

Datum	gez.	gepr.	Artikel-Nr.:	Anderungs-Nr.:	Zustand:	Seite 2
06.05.03	<i>B</i>	<i>P</i>	84 0136	EW03-038	02	2 Seiten