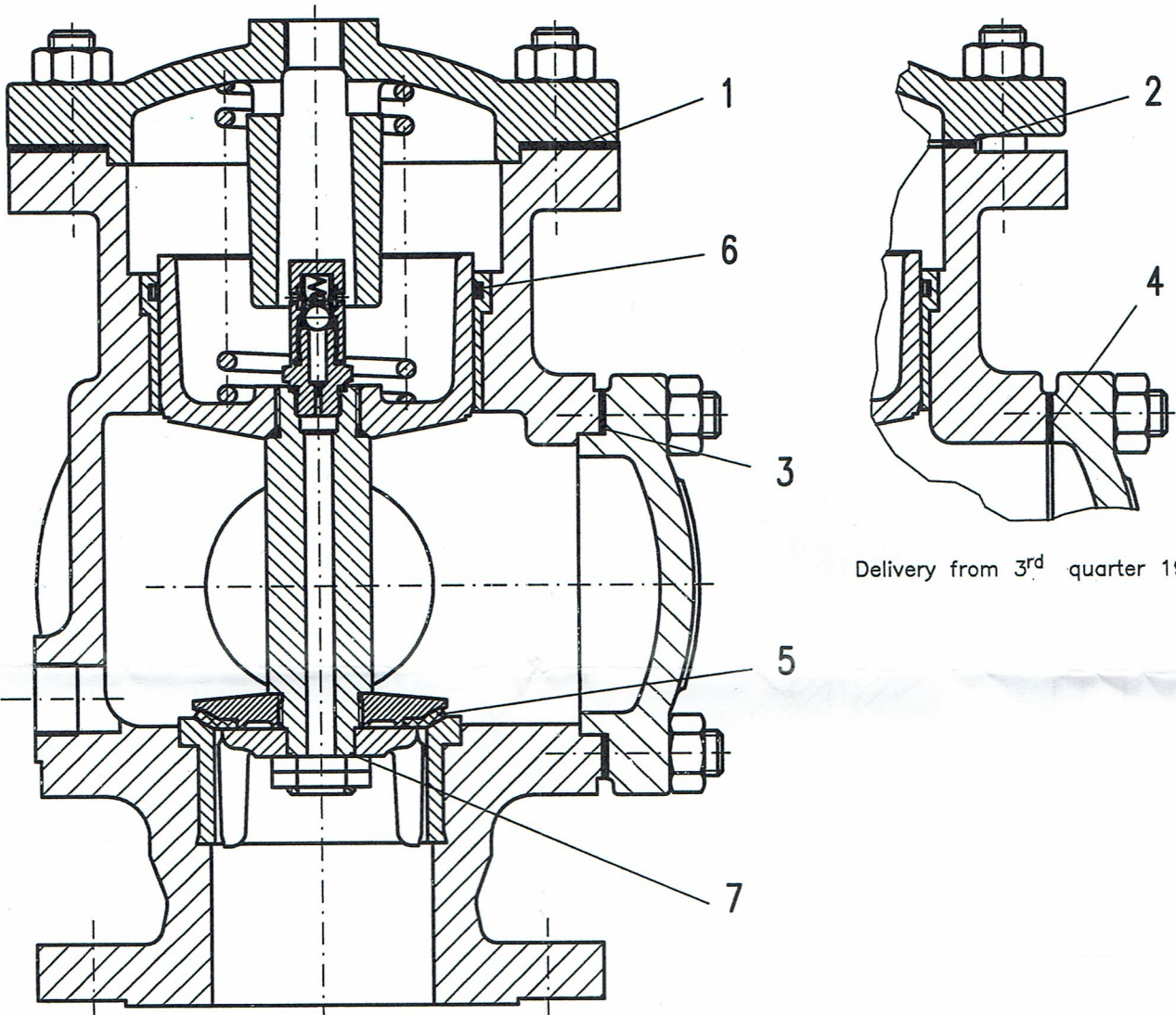


# Installation instructions

## Deluge Valve Gasket Set FSV DN 50

**Part-no: 62 4187**

Delivery until 1992


 Delivery from 3<sup>rd</sup> quarter 1983

### Scope of supply:

Pos. 1	Gasket	Cover control chamber	Part-no.: 17 8738 (1piece)	Delivery until 3 <sup>rd</sup> quarter 1983
2	Gasket	Cover control chamber	Part-no.: 77 3398 (1piece)	Delivery from 3 <sup>rd</sup> quarter 1983
3	Gasket	Hand hole cover	Part-no.: 19 5939 (1piece)	Delivery until 3 <sup>rd</sup> quarter 1983
4	Gasket	Hand hole cover	Part-no.: 77 3430 (1piece)	Delivery from 3 <sup>rd</sup> quarter 1983
5	Gasket	Valve disk	Part-no.: 17 8726 (1piece)	
6	O-ring	70x3-NBR-80shore	Part-no.: 13 2599 (1piece)	
7	O-ring	14x2,5-NBR-70shore	Part-no.: 13 2370 (1piece)	Delivery from 1985

### Note:

- Due to the strong spring tension within the control chamber, the hexagon nuts on the cover are to be loosened uniformly and carefully (danger of bodily injury).
- Sliding and sealing surfaces of the piston are to be greased.

Datum	gez.	gepr.	Artikel-Nr.:	Anderungs-Nr.:	Zustand:	Seite 2
06.05.03	<i>B</i>	<i>ki</i>	84 0135	EW03-038	02	2 Seiten