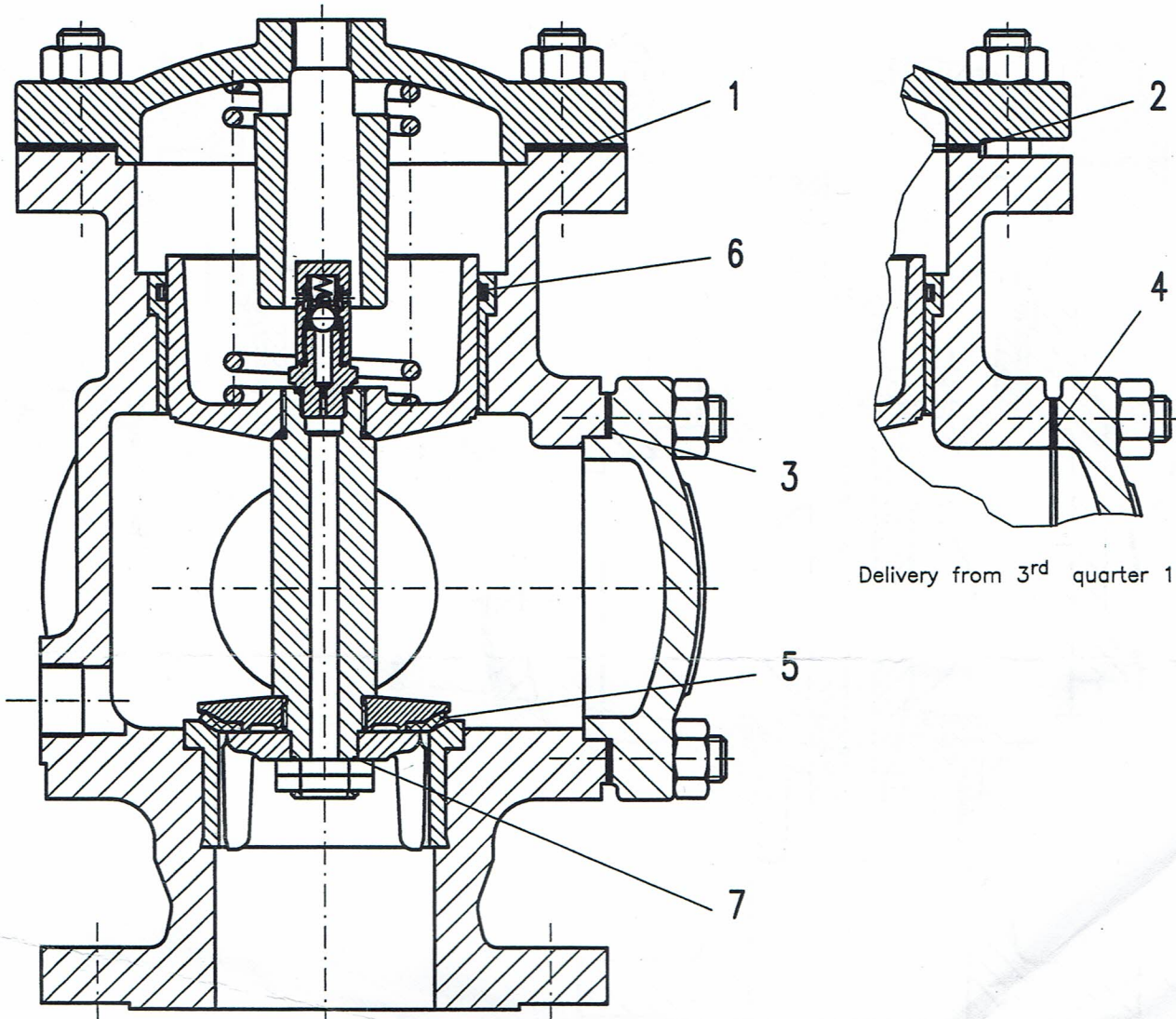


Installation instructions

Deluge Valve Gasket Set FSV DN 100

Part-no: 62 4163

Delivery until 1992



Delivery from 3rd quarter 1983

Scope of supply:

Pos. 1	Gasket	Cover control chamber	Part-no.: 17 8945	(1piece)	Delivery until 3 rd quarter 1983
2	Gasket	Cover control chamber	Part-no.: 77 3416	(1piece)	Delivery from 3 rd quarter 1983
3	Gasket	Hand hole cover	Part-no.: 12 7319	(1piece)	Delivery until 3 rd quarter 1983
4	Gasket	Hand hole cover	Part-no.: 77 3441	(1piece)	Delivery from 3 rd quarter 1983
5	Gasket	Valve disk	Part-no.: 17 8933	(1piece)	
6	O-ring	135x5-NBR-80shore	Part-no.: 13 2952	(1piece)	
7	O-ring	24x3-NBR-70shore	Part-no.: 79 2249	(1piece)	Delivery from 1985

Note:

- Due to the strong spring tension within the control chamber, the hexagon nuts on the cover are to be loosened uniformly and carefully (danger of bodily injury).
- Sliding and sealing surfaces of the piston are to be greased.

Datum	gez.	gepr.	Artikel-Nr.:	Anderungs-Nr.:	Zustand:	Seite 2
06.05.03			84 0137	EW03-038	02	2 Seiten